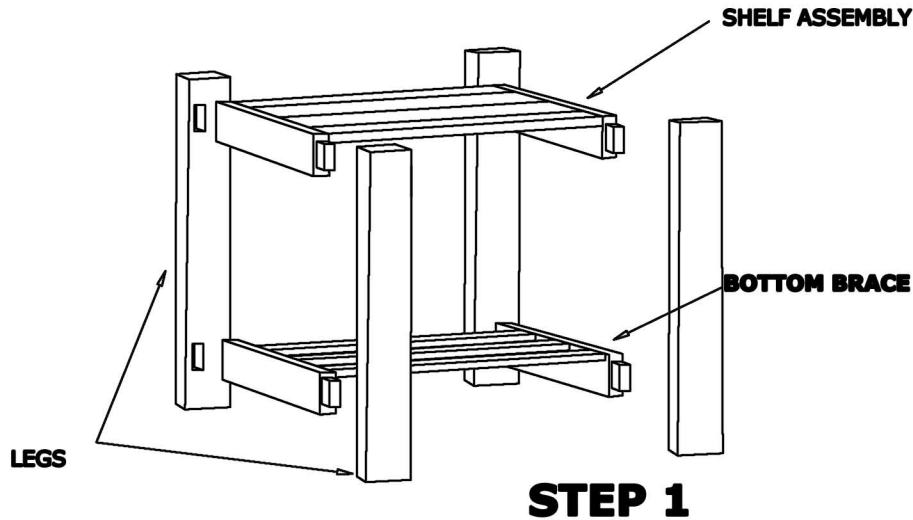
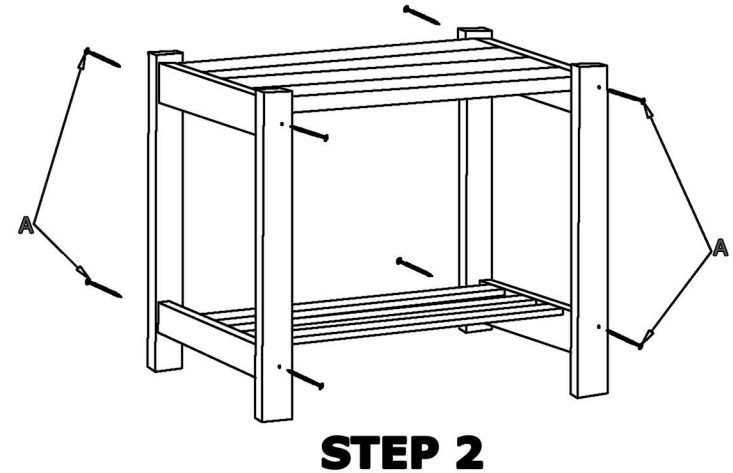


SIDE TABLE

119AT-00001

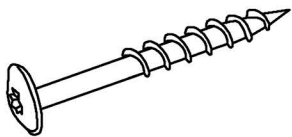


Attach Legs to Shelf Assembly and Bottom Brace as shown.



LIST OF PARTS

- Legs (4)
- Shelf Assemblies (1)
- Bottom Brace (1)
- Colored Screws "A" (8)
- Insert Bit Tool (1)



A-1.5" (8 pcs.) colored

Using screws (A), in pre drilled holes, attach Legs to Shelf Assembly and Bottom Brace as shown.