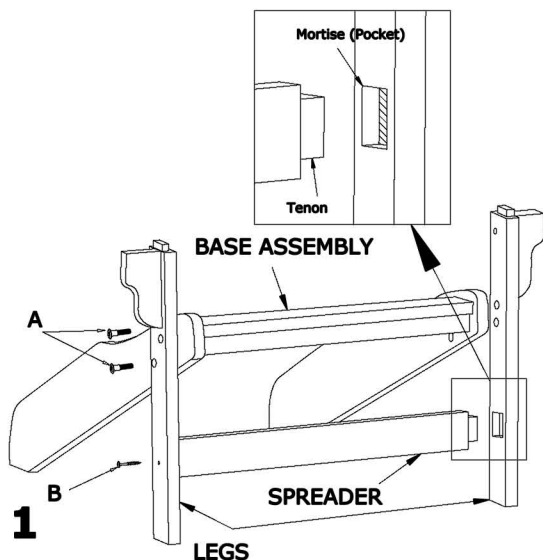


# COASTAL ADIRONDACK CHAIR

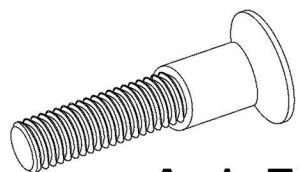
119CH-00004



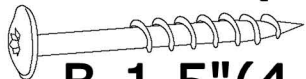
## STEP 1



Attach Spreader tenon into mortise (pocket) on Leg Assemblies and attach with screws (B) as shown. Bolt legs to Base Assembly using bolts (A).



A-1.5" (8 pcs.)

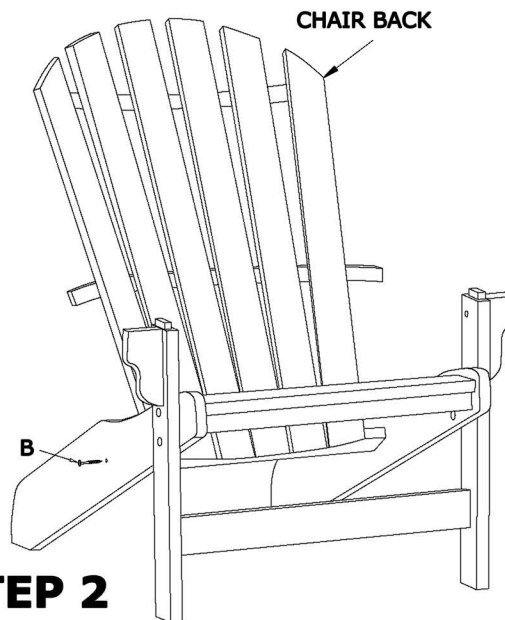


B-1.5" (4 pcs.) painted



C-2" (4 pcs.) painted

## STEP 2

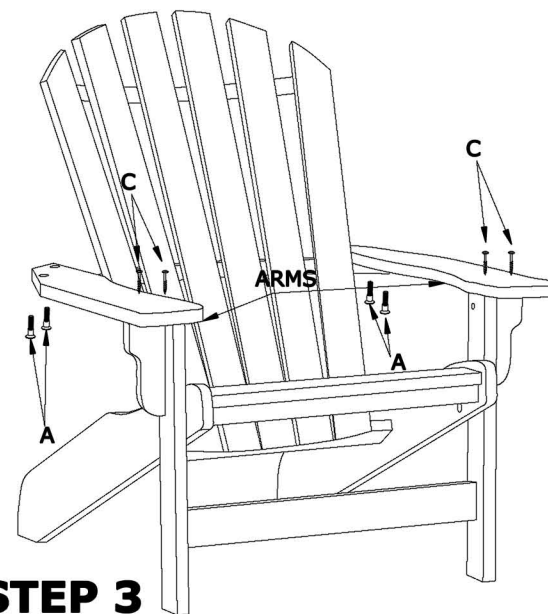


Tenons on the Back Assembly will fit into mortise (pocket) in Base Assembly. Attach with Screws (B) as shown.

### LIST OF PARTS

- Back Assembly (1)
- Base Assembly (1)
- Leg Assemblies (2)
- Spreader (1)
- Arms (1R) (1L)
- Chair Bolts "A" (8)
- Colored Screws "B" (4)
- Colored Screws "C" (4)
- Insert Bit Tool (1)

## STEP 3



Attach Arms to front Legs from the top using screws (C). Bolt Arm Assemblies to Back Assembly using Bolts (A) as shown.