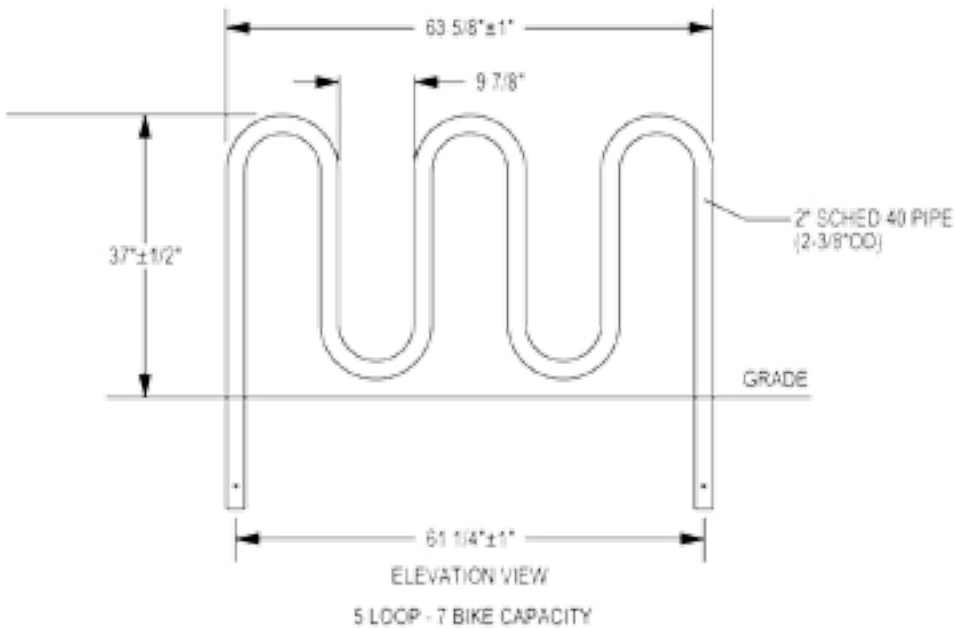




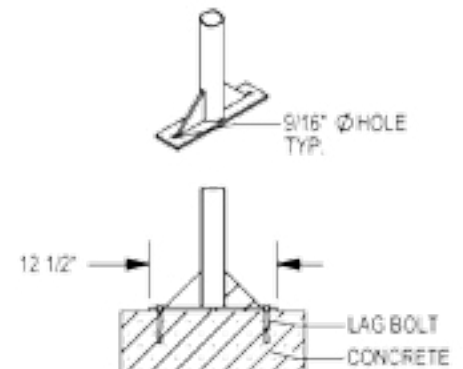
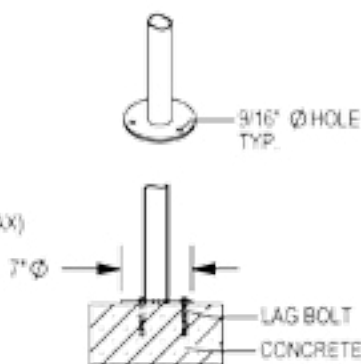
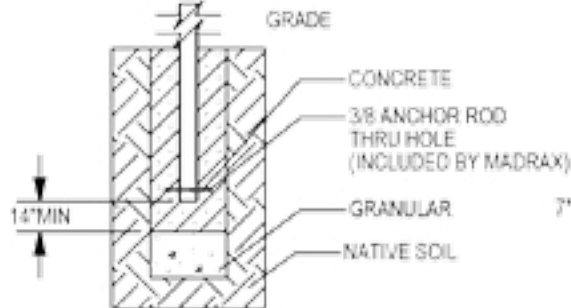
# 25BR-048

## Challenger Loop Style Bike Rack

### 5 Loop, Parks 7 Bikes, Galvanized



CHECK DESIRED MOUNT □



SECTION VIEWS

PRODUCT: H36-T-IG(SF,SG)  
DESCRIPTION: HEAVY DUTY CHALLENGER BIKE RACK  
7 BIKE, SURFACE OR IN GROUND MOUNT  
DATE: 8-5-02  
ENG: TLG

CONFIDENTIAL DRAWING AND INFORMATION IS NOT TO BE COPIED  
OR DISCLOSED TO OTHERS  
SPECIFICATIONS ARE SUBJECT TO CHANGE WITHOUT NOTICE.

- NOTES:
1. INSTALL BIKE RACKS ACCORDING TO MANUFACTURER'S SPECIFICATIONS.
  2. CONSULTANT TO SELECT COLOR/FINISH. SEE MANUFACTURER'S SPECIFICATIONS.
  3. SEE SITE PLAN FOR LOCATION OR CONSULT OWNER.